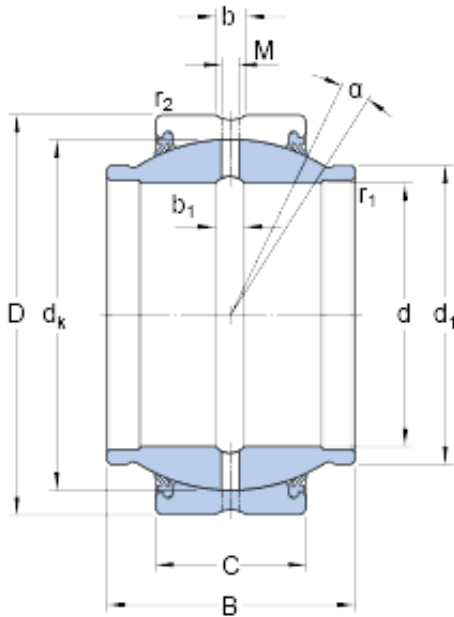




Timken BEARINGS INDUSTRY

152.4 mm x 222.25 mm x 209.55 mm SKF
GEZM 600 ES-2RS plain bearings



GEZM 600 ES-2RS Bearing 2D drawings and 3D CAD models

Bearing No. GEZM 600 ES-2RS

Size	222.25x152.4x209.55 mm
Bore Diameter	222,25 mm
Outer Diameter	152,4 mm
Width	209,55 mm
d	152.4 mm
D	222.25 mm
B	209.55 mm
C	104.775 mm
	5 °
d _k	207.162 mm
d ₁	178.3 mm
b	15 mm
b ₁	11 mm
M	8 mm
r ₁ - min.	2 mm
r ₂ - min.	1.1 mm
d _a - min.	164 mm
d _a - max.	178.3 mm
D _a - min.	197.5 mm
D _a - max.	213.5 mm
r _a - max.	2 mm
r _b - max.	1.1 mm
Basic dynamic load rating - C	1730 kN
Basic static load rating - C ₀	5200 kN



Timken BEARINGS INDUSTRY

Specific factor dynamic load - K	100 N/mm ²
Specific factor static load - K ₀	300 N/mm ²
Constant - K _M	330
Lubricant	Regular relubrication – grease
Design (sliding contact surface combination)	Steel/steel
Sealing solution	Double-lip seals
	5 °
d _k	207.162 mm
d ₁	178.3 mm
b ₁	11 mm
r ₁ min.	2 mm
r ₂ min.	1.1 mm
d _a min.	164 mm
d _a max.	178.3 mm
D _a min.	197.5 mm
D _a max.	213.5 mm
r _a max.	2 mm
r _b max.	1.1 mm
Basic dynamic load rating C	1730 kN
Basic static load rating C ₀	5200 kN
Specific dynamic load factor K	100 N/mm ²
Specific static load factor K ₀	300 N/mm ²
Material constant K _M	330
Mass plain bearing	21.5 kg