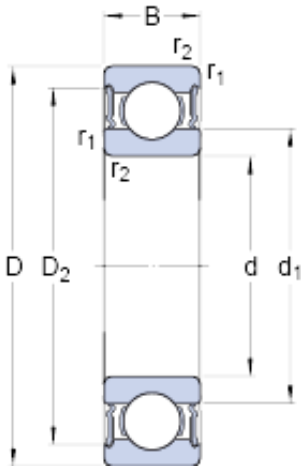




Timken BEARINGS INDUSTRY



17 mm x 47 mm x 14 mm SKF W 6303-2RS1
deep groove ball bearings

Bearing No. W 6303-2RS1

W 6303-2RS1 Bearing 2D drawings and 3D CAD models

Size	47x17x14 mm
Bore Diameter	47 mm
Outer Diameter	17 mm
Width	14 mm
d	17 mm
D	47 mm
B	14 mm
d ₁	27.5 mm
D ₂	41.1 mm
r _{1,2} - min.	1 mm
d _a - min.	22 mm
d _a - max.	27 mm
D _a - max.	42 mm
r _a - max.	1 mm
Basic dynamic load rating - C	11.7 kN
Basic static load rating - C ₀	6.6 kN
Fatigue load limit - P _u	0.28 kN
Limiting speed	10000 r/min
Calculation factor - k _r	0.035
Calculation factor - f ₀	12.4
Category	Single Row Ball Bearings
Inventory	0.0
Manufacturer Name	SKF
Minimum Buy Quantity	N/A



Timken BEARINGS INDUSTRY

Weight / Kilogram	0.111
EAN	7316570466706
Product Group	B00308
Enclosure	2 Seals
Precision Class	ABEC 1 ISO P0
Maximum Capacity / Filling Slot	No
Rolling Element	Ball Bearing
Snap Ring	No
Internal Special Features	No
Cage Material	Stainless Steel
Enclosure Type	Contact Seal
Internal Clearance	C0-Medium
Inch - Metric	Metric
Long Description	17MM Bore; 47MM Outside Diameter; 14MM Outer Race Width; 2 Seals; Ball Bearing; ABEC 1 ISO P0; No Filling Slot; No Snap Ring; No Internal Special Features; C0-Medium Internal Clearance; Stainless St
Other Features	Deep Groove NBR Seal
Category	Single Row Ball Bearing
UNSPSC	31171504
Harmonized Tariff Code	8482.10.50.68
Noun	Bearing
Keyword String	Ball
Manufacturer URL	http://www.skf.com
Manufacturer Item Number	W 6303-2RS1
Weight / LBS	0.2491
Outer Race Width	0.551 Inch 14 Millimeter
Bore	0.669 Inch 17 Millimeter
Outside Diameter	1.85 Inch 47 Millimeter



Timken BEARINGS INDUSTRY

Inner Race Width	0 Inch 0 Millimeter
d_1	27.5 mm
D_2	41.1 mm
$r_{1,2}$ min.	1 mm
d_a min.	22 mm
d_a max.	27 mm
D_a max.	42 mm
r_a max.	1 mm
Basic dynamic load rating C	11.7 kN
Basic static load rating C_0	6.55 kN
Fatigue load limit P_u	0.28 kN
Calculation factor k_r	0.035
Calculation factor f_0	12.4
Mass bearing	0.11 kg