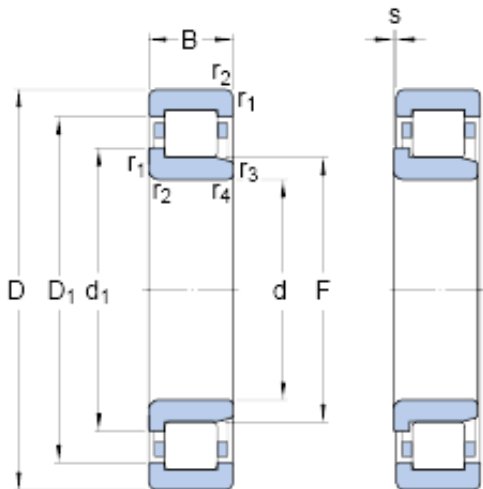




# Timken BEARINGS INDUSTRY



## 17 mm x 40 mm x 12 mm SKF NJ 203 ECML thrust ball bearings

Bearing No. NJ 203 ECML

Size	40x17x12 mm
Bore Diameter	40 mm
Outer Diameter	17 mm
Width	12 mm
d	17 mm
D	40 mm
B	12 mm
d <sub>1</sub>	25 mm
D <sub>1</sub>	32.35 mm
F	22.1 mm
r <sub>1,2</sub> - min.	0.6 mm
r <sub>3,4</sub> - min.	0.6 mm
s	1 mm
d <sub>a</sub> - min.	20.7 mm
d <sub>a</sub> - max.	21.1 mm
d <sub>b</sub> - min.	27 mm
D <sub>a</sub> - max.	36 mm
r <sub>a</sub> - max.	0.6 mm
Basic dynamic load rating - C	17.2 kN
Basic static load rating - C <sub>0</sub>	14.3 kN
Fatigue load limit - P <sub>u</sub>	1.7 kN
Reference speed	19000 r/min
Limiting speed	22000 r/min
Calculation factor - k <sub>r</sub>	0.23

NJ 203 ECML Bearing 2D drawings and 3D CAD models



## Timken BEARINGS INDUSTRY

$d_1$	25 mm
$D_1$	32.35 mm
$r_{1,2}$ min.	0.6 mm
$r_{3,4}$ min.	0.6 mm
s max.	1 mm
$d_a$ min.	20.7 mm
$d_a$ max.	21.1 mm
$d_b$ min.	27 mm
$D_a$ max.	36 mm
$r_a$ max.	0.6 mm
Basic dynamic load rating C	20 kN
Basic static load rating $C_0$	14.3 kN
Fatigue load limit $P_u$	1.73 kN
Calculation factor $k_r$	0.23
Limiting value e	0.2
Axial load factor Y	0.6
Mass bearing	0.083 kg