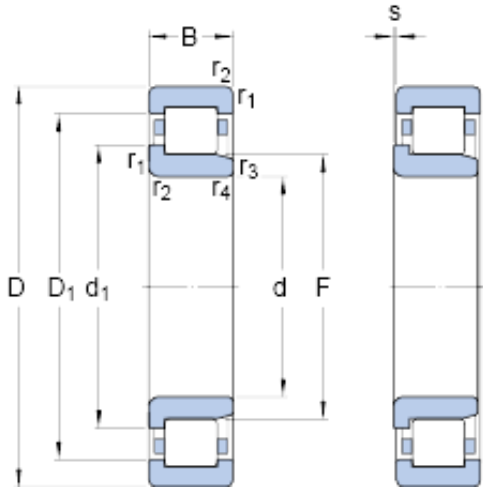




Timken BEARINGS INDUSTRY



110 mm x 200 mm x 53 mm SKF NJ 2222 ECJ
thrust ball bearings

Bearing No. NJ 2222 ECJ

NJ 2222 ECJ Bearing 2D drawings and 3D CAD models

| | |
|---|---------------|
| Size | 200x110x53 mm |
| Bore Diameter | 200 mm |
| Outer Diameter | 110 mm |
| Width | 53 mm |
| d | 110 mm |
| D | 200 mm |
| B | 53 mm |
| d ₁ | 141 mm |
| D ₁ | 172.5 mm |
| F | 132.5 mm |
| r _{1,2} - min. | 2.1 mm |
| r _{3,4} - min. | 2.1 mm |
| s | 3.7 mm |
| d _a - min. | 122 mm |
| d _a - max. | 129 mm |
| d _b - min. | 144 mm |
| D _a - max. | 187 mm |
| r _a - max. | 2 mm |
| Basic dynamic load rating - C | 440 kN |
| Basic static load rating - C ₀ | 520 kN |
| Fatigue load limit - P _u | 61 kN |
| Reference speed | 3600 r/min |
| Limiting speed | 4000 r/min |
| Calculation factor - k _r | 0.2 |



Timken BEARINGS INDUSTRY

| | |
|--------------------------------|----------|
| d_1 | 141 mm |
| D_1 | 172.5 mm |
| $r_{1,2}$ min. | 2.1 mm |
| $r_{3,4}$ min. | 2.1 mm |
| s max. | 3.7 mm |
| d_a min. | 122 mm |
| d_a max. | 129 mm |
| d_b min. | 144 mm |
| D_a max. | 187 mm |
| r_a max. | 2 mm |
| Basic dynamic load rating C | 440 kN |
| Basic static load rating C_0 | 520 kN |
| Fatigue load limit P_u | 61 kN |
| Calculation factor k_r | 0.2 |
| Limiting value e | 0.3 |
| Axial load factor Y | 0.4 |
| Mass bearing | 6.82 kg |