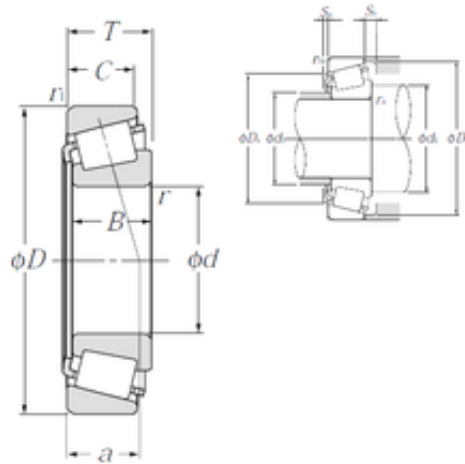




Timken BEARINGS INDUSTRY



70 mm x 140 mm x 35,5 mm NTN 4T-T7FC070 tapered roller bearings

Bearing No. 4T-T7FC070

4T-T7FC070 Bearing 2D drawings and 3D CAD models

Size	70x140x39 mm
Bore Diameter	70 mm
Outer Diameter	140 mm
Width	39 mm
d	70 mm
D	140 mm
T	39 mm
B	35,5 mm
C	27 mm
ra1 max.	2,5 mm
a	47,5 mm
r min.	3 mm
r1 min.	3 mm
da min.	84 mm
Da min	106 mm
Da max.	126 mm
db max.	82 mm
Db min.	135 mm
ra max.	2,5 mm
Sa	5 mm
Sb	12 mm
Weight	2,61 Kg
Basic dynamic load rating (C)	173 kN
Basic static load rating (C0)	231 kN
(Grease) Lubrication Speed	2 400 r/min



Timken BEARINGS INDUSTRY

(Oil) Lubrication Speed	3 200 r/min
Calculation factor (e)	0,87
Calculation factor (Y0)	0,38
d1	109 mm
rs min	3 mm
r1s min	3 mm
e	0.87
Y2	0.69
Y0	0.38
Mass	2.61 kg
ISO 355 reference	T7FC070
Dynamic load, C	173 kN
Rating life coefficient, A2	1.4
Static load, C0	231 kN
Fatigue limit load, Cu	27.9 kN
Nlim (oil)	3,200 rpm
Nlim (grease)	2,400 rpm
Min operating temperature, Tmin	-40 ° C
Max operating temperature, Tmax	120 ° C
Characteristic cage frequency, FTF	0.44 Hz
Characteristic rolling element frequency, BSF	6.74 Hz
Characteristic outer ring frequency, BPF0	7.86 Hz
Characteristic inner ring frequency, BPF1	10.14 Hz
da max	82 mm
db min	84 mm
Da max	126 mm
Db min	135 mm
Ca min	5 mm



Timken BEARINGS INDUSTRY

Cb min	12 mm
ra max	2.5 mm
r1a max	2.5 mm