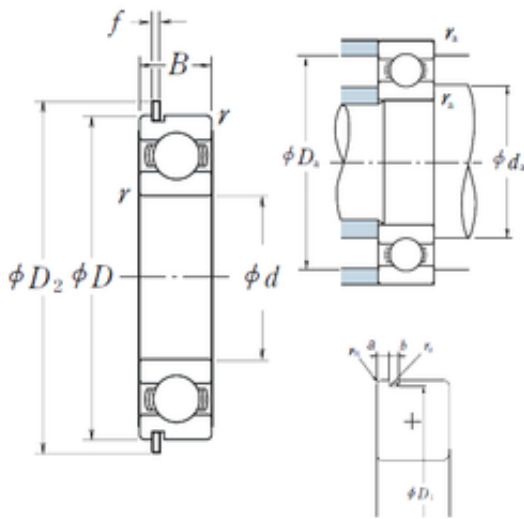




Timken BEARINGS INDUSTRY

130 mm x 180 mm x 24 mm NSK 6926NR deep groove ball bearings

Bearing No. 6926NR



6926NR Bearing 2D drawings and 3D CAD models

Size	130x180x24 mm
Bore Diameter	130 mm
Outer Diameter	180 mm
Width	24 mm
d	130 mm
D	180 mm
B	24 mm
C	24 mm
rn	0,5 mm
a	3,7 mm
b	1,9 mm
f	1,7 mm
r min.	1,5 mm
r0 max.	0,6 mm
D1	176,8 mm
D2	186,5 mm
da min.	138 mm
da max	144 mm
Da max.	172 mm
ra max.	1,5 mm
Weight	1,57 Kg
Basic dynamic load rating (C)	65 kN
Basic static load rating (C0)	67,5 kN
(Grease) Lubrication Speed	3 400 r/min
(Oil) Lubrication Speed	4 000 r/min



Timken BEARINGS INDUSTRY

SRI	7.8
hidYobi	6926NR
LangID	1
ro	0.6
D_	180
SREX	0.03
B_	24
da min	138
hidTable	ecat_NS RDGB
Oil rpm	4000
SRE	7.8
Cy	5.1
mass	1.57
GRS rpm	3400
ra	1.5
SRIX	0.03
D_a	172
SRIN	-0.03
C0	67.5
fo	16.5
SREN	-0.03
DE_	170.081
Prod_Type3	DGBB_SR_NR_OT
DA_	15.081
bomp	0
Z_	18
yobi	6926NR
Dx	188
C_conv	65000
ALPHA_	0
SDM_	155
r	1.5



Timken BEARINGS INDUSTRY

KBRG	6101
SBRG	19
DI_	139.919