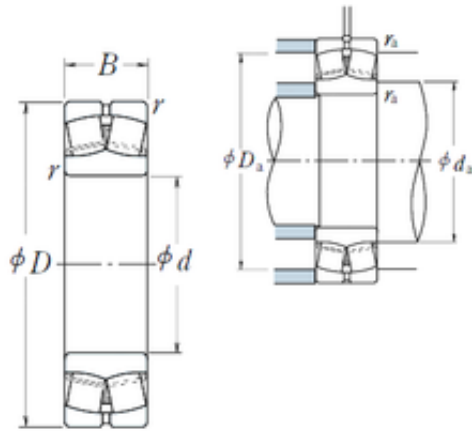




Timken BEARINGS INDUSTRY



60 mm x 110 mm x 28 mm NSK 22212EAE4 spherical roller bearings

Bearing No. 22212EAE4

22212EAE4 Bearing 2D drawings and 3D CAD models

Size	60x110x28 mm
Bore Diameter	60 mm
Outer Diameter	110 mm
Width	28 mm
d	60 mm
D	110 mm
B	28 mm
C	28 mm
r min.	1,5 mm
da min.	69 mm
da max	72 mm
Da min	98 mm
Da max.	101 mm
ra max.	1,5 mm
Weight	1,1 Kg
Basic dynamic load rating (C)	142 kN
Basic static load rating (C0)	174 kN
(Grease) Lubrication Speed	4300 r/min
(Oil) Lubrication Speed	5300 r/min
Calculation factor (e)	0,23
Calculation factor (Y0)	2,9
Calculation factor (Y2)	4,4
Category	Spherical Roller Bearings
Inventory	0.0
Manufacturer Name	NSK



Timken BEARINGS INDUSTRY

Minimum Buy Quantity	N/A
Weight / Kilogram	1.1
EAN	0029176411137
Product Group	B04311
Internal Clearance	C0-Medium
Mounting Method	Shaft Mount
Rolling Element	Spherical Roller Bearing
Bore Profile	Straight
Cage Material	Steel
Enclosure	Open
Number of Rows of Rollers	Double Row
Relubricatable	Yes
Withdrawal Sleeve	Not Applicable
Inch - Metric	Metric
Long Description	60MM Straight Bore; 110MM Outside Diameter; 28MM Width; C0-Medium Clearance; Shaft Mount; Double Row of Spherical Roller Bearings; Steel Cage Material; Open Enclosure; Relubricatable
Category	Spherical Roller Bearing
UNSPSC	31171510
Harmonized Tariff Code	84823080
Noun	Bearing
Keyword String	Spherical
Manufacturer URL	http://www.nskamericas.com
Manufacturer Item Number	22212EAE4
Weight / LBS	1.1
Bore	2.362 Inch 60 Millimeter
Width	1.102 Inch 28 Millimeter
Outside Diameter	4.331 Inch 110 Millimeter
Adapter Part Number	Not Applicable Inch Not



Timken BEARINGS INDUSTRY

	Applicable Millimeter
bore diameter:	60 mm
maximum rpm:	6000 RPM
outside diameter:	110 mm
operating temperature range:	Maximum of +200 ° C
overall width:	28 mm
cage material:	Steel
bore type:	Straight
bearing material:	Steel
outer ring type:	Not Split
cage type:	Inner Ring Guided
internal clearance:	C0
precision rating:	RBEC 1 (ISO Class Normal)
closure type:	Open
finish/coating:	Uncoated
lubrication hole type:	Lubrication Groove & Hole
outer ring width:	28 mm
dynamic load capacity:	178000 N
fillet radius:	1.5 mm
static load capacity:	174000 N
series:	222
Y3	3
hidYobi	22212EAE4
LangID	1
Y1	3
D_	110
Y2	4.4
Macha rpm	8000
B_	28
da min	69
hidTable	ecat_NSSPHR



Timken BEARINGS INDUSTRY

Oil rpm	6000
Y0	2.9
mass	1.1
GRS rpm	4800
ra	1.5
TSR rpm	5300
C0	174
DE_	99.856
X0	1
Prod_Type3	SRB_CTB_CB
X1	1
X2	0.67
SIR	10.3
e	0.23
DA_	13.02
bomp	22212EAE4
Z_	19
ALP2	38
ALP1	8
ALP3	0
D_a max	101
D_a min	98
yobi	22212EAE4
HPS	HPS
ALPHA_	0.151
SDM_	86.983
r	1.5
KBRG	2328
SBRG	22
DI_	74.111