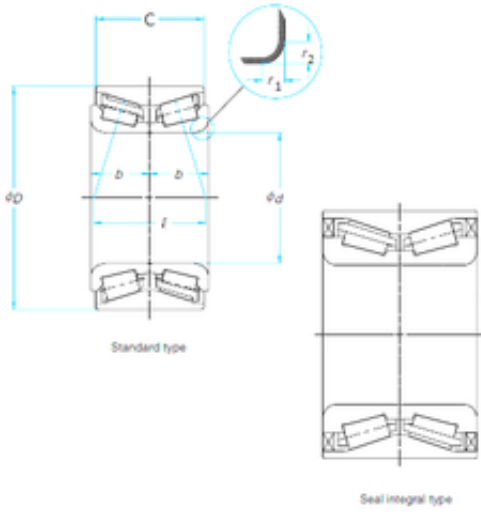




Timken BEARINGS INDUSTRY



43 mm x 77 mm x 42 mm NSK 43KWD04 tapered roller bearings

Bearing No. 43KWD04

Size	43x77x42 mm
Bore Diameter	43 mm
Outer Diameter	77 mm
Width	42 mm
d	43 mm
D	77 mm
B	42 mm
C	38 mm
b	21 mm
r1 min.	3,5 mm
r2 min.	3,5 mm
	38,9 Tolerance h14
Weight	0,81 Kg
Basic dynamic load rating (C)	79,5 kN
Basic static load rating (C0)	111 kN

43KWD04 Bearing 2D drawings and 3D CAD models