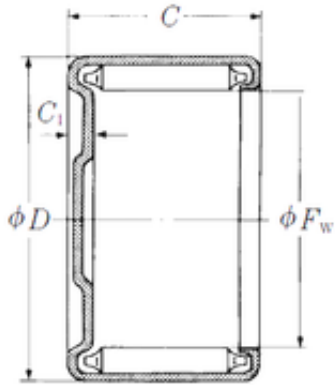




Timken BEARINGS INDUSTRY

NSK MH-14101 needle roller bearings



Bearing No. MH-14101

Size	22.225x30.162x15.88 mm
Bore Diameter	22,225 mm
Outer Diameter	30,162 mm
Width	15,88 mm
Fw	22,225 mm
D	30,162 mm
C	15,88 mm
C2	2,8 mm
Weight	0,035 Kg
Basic dynamic load rating (C)	19,4 kN

MH-14101 Bearing 2D drawings and 3D CAD models