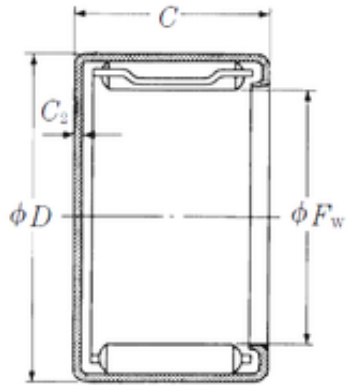




Timken BEARINGS INDUSTRY

NSK MFJL-2225L needle roller bearings



Bearing No. MFJL-2225L

Size	22x29x25 mm
Bore Diameter	22 mm
Outer Diameter	29 mm
Width	25 mm
Fw	22 mm
D	29 mm
C	25 mm
C2	1 mm
Weight	37 Kg
Basic dynamic load rating (C)	23000 kN

MFJL-2225L Bearing 2D drawings and 3D CAD models