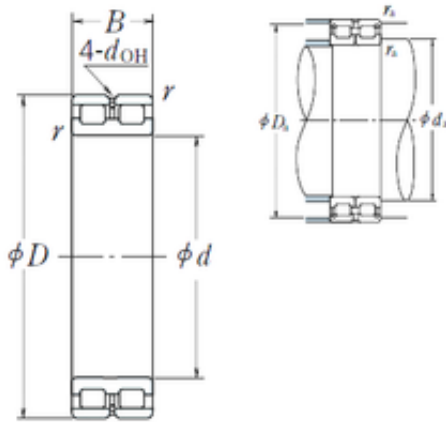




Timken BEARINGS INDUSTRY

260 mm x 320 mm x 60 mm NSK RSF-4852E4 cylindrical roller bearings



Bearing No. RSF-4852E4

RSF-4852E4 Bearing 2D drawings and 3D CAD models

Size	260x320x60 mm
Bore Diameter	260 mm
Outer Diameter	320 mm
Width	60 mm
d	260 mm
D	320 mm
B	60 mm
C	60 mm
r min.	2 mm
da min.	269 mm
Da max.	311 mm
ra max.	2 mm
Weight	11 Kg
Basic dynamic load rating (C)	515 kN
Basic static load rating (C0)	1450 kN
(Grease) Lubrication Speed	380 r/min
hidYobi	RSF-4852E4
LangID	1
D_	320
B_	69
hidTable	ecat_NSCLDRS
Oil rpm	380
mass	11
GRS rpm	750
ra	2



Timken BEARINGS INDUSTRY

da_min	269
C0	1450
DE_	303.6
Prod_Type3	CRB_FRFS_OT_FREE
DA_	13
Z_	70
yobi	RSF-4852E4
da_max	311
SDM_	290.6
r	2
KBRG	4210
disp	3.5
DI_	277.6
doh	5