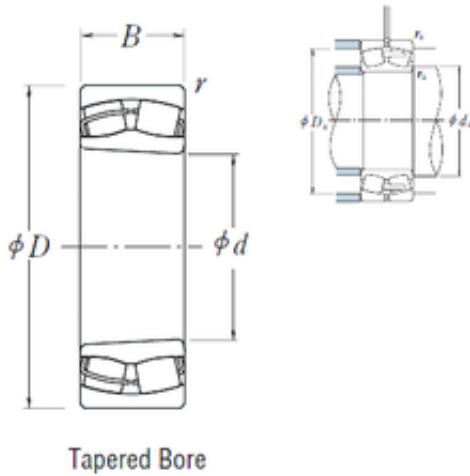




Timken BEARINGS INDUSTRY



35 mm x 72 mm x 23 mm NSK 22207CKE4 spherical roller bearings

Bearing No. 22207CKE4

22207CKE4 Bearing 2D drawings and 3D CAD models

Size	35x72x23 mm
Bore Diameter	35 mm
Outer Diameter	72 mm
Width	23 mm
d	35 mm
D	72 mm
B	23 mm
C	23 mm
r min.	1,1 mm
da min.	42 mm
da max	43 mm
Da min	63 mm
Da max.	65 mm
ra max.	1 mm
Weight	0,42 Kg
Basic dynamic load rating (C)	69 kN
Basic static load rating (C0)	71 kN
(Grease) Lubrication Speed	5300 r/min
(Oil) Lubrication Speed	6700 r/min
Calculation factor (e)	0,32
Calculation factor (Y0)	2
Calculation factor (Y2)	3,1
Category	Bearings
Inventory	0.0
Manufacturer Name	NSK



Timken BEARINGS INDUSTRY

Minimum Buy Quantity	N/A
Weight / Kilogram	0.412
Product Group	B04311
Y3	2.1
hidYobi	22207CKE4
LangID	1
Y1	2
D_	72
Y2	3.1
Macha rpm	0
B_	23
da min	42
hidTable	ecat_NSSPHR
Oil rpm	6700
Y0	2
mass	0.42
GRS rpm	5300
ra	1
TSR rpm	7500
C0	71
DE_	64.518
X0	1
Prod_Type3	SRB_CTB_TB
X1	1
X2	0.67
SIR	7.5
e	0.32
DA_	10.2
bomp	22207CKE4
Z_	14
ALP2	10
ALP1	12



Timken BEARINGS INDUSTRY

ALP3	0
D_a max	65
D_a min	63
yobi	22207CKE4
ALPHA_	0.212
SDM_	54.547
r	1.1
KBRG	2322
SBRG	22
DI_	44.576