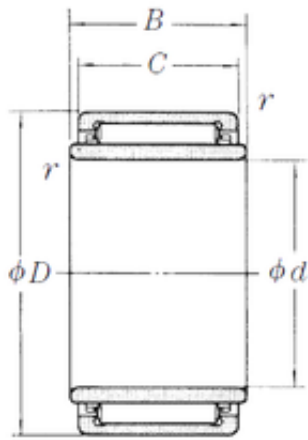




Timken BEARINGS INDUSTRY



15 mm x 25 mm x 17,2 mm NSK LM1817
needle roller bearings

Bearing No. LM1817

Size	15x25x17.2 mm
Bore Diameter	15 mm
Outer Diameter	25 mm
Width	17,2 mm
d	15 mm
Fw	18 mm
D	25 mm
B	17,2 mm
C	17 mm
r min.	0,5 mm
Weight	0,031 Kg
Basic dynamic load rating (C)	13,3 kN
Basic static load rating (C0)	17,2 kN

LM1817 Bearing 2D drawings and 3D CAD models