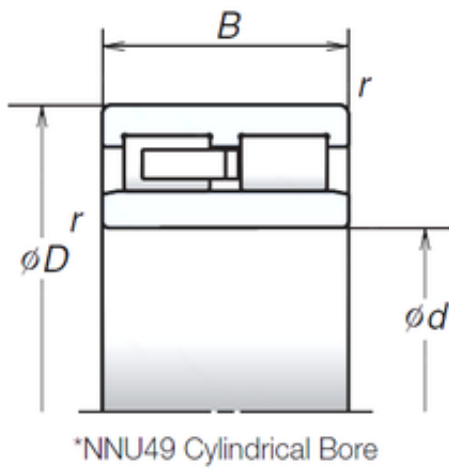




# Timken BEARINGS INDUSTRY



140 mm x 190 mm x 50 mm NSK NNU4928MB cylindrical roller bearings

Bearing No. NNU4928MB

Size	140x190x50 mm
Bore Diameter	140 mm
Outer Diameter	190 mm
Width	50 mm
d	140 mm
F	154 mm
D	190 mm
B	50 mm
C	50 mm
r min.	1,5 mm
Weight	4,08 Kg
Basic dynamic load rating (C)	283 kN
Basic static load rating (C0)	585 kN
(Grease) Lubrication Speed	4 600 r/min

NNU4928MB Bearing 2D drawings and 3D CAD models