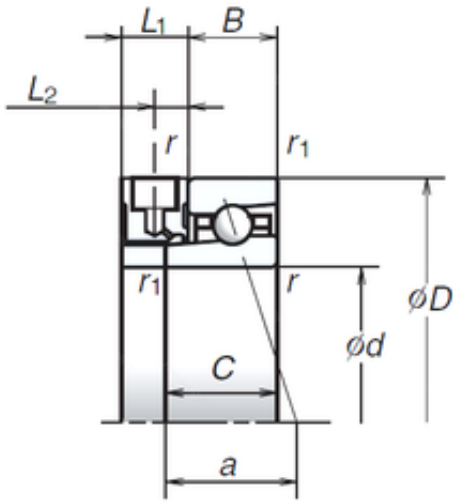




Timken BEARINGS INDUSTRY



95 mm x 145 mm x 24 mm NSK 95BNR10XE
angular contact ball bearings

Bearing No. 95BNR10XE

Size	95x145x24 mm
Bore Diameter	95 mm
Outer Diameter	145 mm
Width	24 mm
d	95 mm
D	145 mm
B	24 mm
C	29 mm
L2	7,5 mm
Angle (°)	18 °
a	36,3 mm
r min.	1,5 mm
r1 min.	1 mm
L1	15 mm
Weight	1,3 Kg
Basic dynamic load rating (C)	35,5 kN
Basic static load rating (C0)	34,5 kN
(Grease) Lubrication Speed	27 500 r/min

95BNR10XE Bearing 2D drawings and 3D CAD models