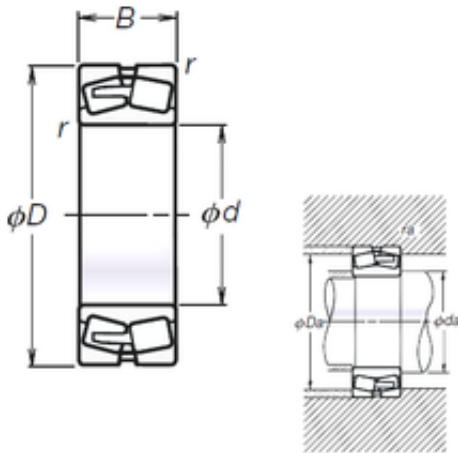




# Timken BEARINGS INDUSTRY

45 mm x 100 mm x 36 mm NSK 22309L12CAM spherical roller bearings



Bearing No. 22309L12CAM

Size	45x100x36 mm
Bore Diameter	45 mm
Outer Diameter	100 mm
Width	36 mm
d	45 mm
D	100 mm
B	36 mm
C	36 mm
r min.	1,5 mm
Basic dynamic load rating (C)	148 kN

22309L12CAM Bearing 2D drawings and 3D CAD models