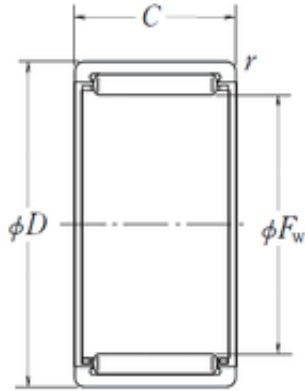




# Timken BEARINGS INDUSTRY

## NSK RLM1416 needle roller bearings



Bearing No. RLM1416

Size	14x22x16 mm
Bore Diameter	14 mm
Outer Diameter	22 mm
Width	16 mm
Fw	14 mm
D	22 mm
C	16 mm
r min.	0,3 mm
Weight	0,019 Kg
Basic dynamic load rating (C)	12,1 kN
Basic static load rating (C0)	12,7 kN
(Grease) Lubrication Speed	15000 r/min
hidYobi	RLM1416
LangID	1
D_	22
B_	16
hidTable	ecat_NSMRNR
GRS rpm	15000
ra	0.3
C0	12.7
C1_	16
DE_	20
SLR	11.8
Prod_Type3	NRB_S_RLM
d	14
DA_	3

RLM1416 Bearing 2D drawings and 3D CAD models



## Timken BEARINGS INDUSTRY

Z_	11
SI	0
yobi	RLM1416
da_max	20
OIL rpm	24000
SDM_	17
r	0.3
KBRG	8312
mass1	0.019