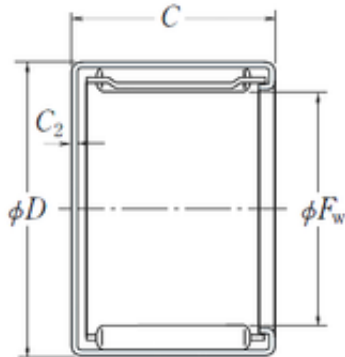




Timken BEARINGS INDUSTRY

NSK MFJ-2526 needle roller bearings



Bearing No. MFJ-2526

Size	25x32x26 mm
Bore Diameter	25 mm
Outer Diameter	32 mm
Width	26 mm
Fw	25 mm
D	32 mm
C	26 mm
C1	1 mm
Weight	0,043 Kg
Basic dynamic load rating (C)	26200 kN
(Grease) Lubrication Speed	8000 r/min
NB-DI	0
NA-DEX	0
hidYobi	MFJ-2526
LangID	1
D_	32
NC-SLR	0
B_	26.5
n_yobi	FIR-202526
hidTable	ecat_NSDCNR
d1	20
GRS rpm	8000
ra	0.3
NC-SLR1	0
C0	43.104
Prod_Type3	NRB_DC_FJ-

MFJ-2526 Bearing 2D drawings and 3D CAD models



Timken BEARINGS INDUSTRY

	MFJ_WC_CT
da	22
d	20
NC-RAC	0
Pmax	18800
N-SDM	0
yobi	MFJ-2526
C1_C2	1
ND-Z	0
OIL rpm	13000
NC-DA	0
mass_i	43
NC-KMS	0
B1	26.5