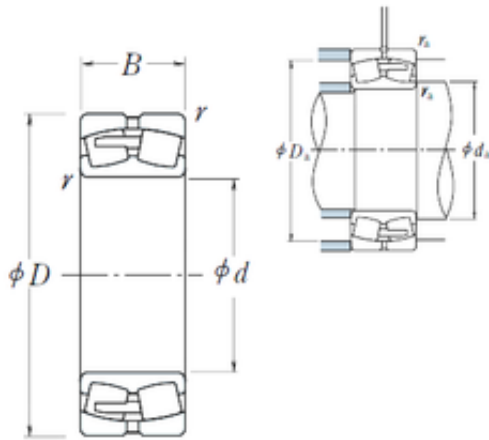




Timken BEARINGS INDUSTRY

320 mm x 480 mm x 121 mm NSK 23064CAE4 spherical roller bearings



Bearing No. 23064CAE4

Size	320x480x121 mm
Bore Diameter	320 mm
Outer Diameter	480 mm
Width	121 mm
d	320 mm
D	480 mm
B	121 mm
C	121 mm
r min.	4 mm
da min.	338 mm
Da min	432 mm
Da max.	462 mm
ra max.	3 mm
Weight	75,6 Kg
Basic dynamic load rating (C)	1960 kN
Basic static load rating (C0)	3850 kN
(Grease) Lubrication Speed	630 r/min
(Oil) Lubrication Speed	800 r/min
Calculation factor (e)	0,24
Calculation factor (Y0)	2,8
Calculation factor (Y2)	4,2

23064CAE4 Bearing 2D drawings and 3D CAD models