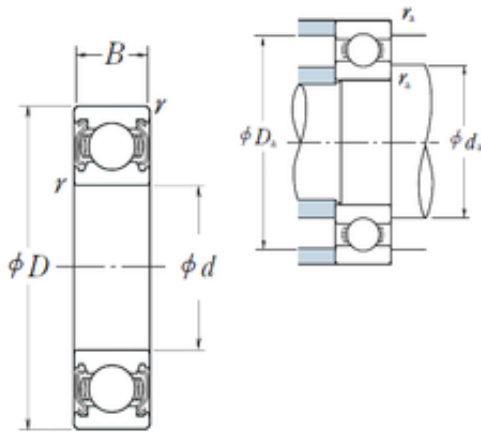




# Timken BEARINGS INDUSTRY



80 mm x 100 mm x 10 mm NSK 6816ZZ deep groove ball bearings

Bearing No. 6816ZZ

6816ZZ Bearing 2D drawings and 3D CAD models

Size	80x100x10 mm
Bore Diameter	80 mm
Outer Diameter	100 mm
Width	10 mm
d	80 mm
D	100 mm
B	10 mm
C	10 mm
r min.	0,6 mm
da min.	84 mm
da max	84,5 mm
Da max.	96 mm
ra max.	0,6 mm
Weight	0,151 Kg
Basic dynamic load rating (C)	12,7 kN
Basic static load rating (C0)	14,5 kN
(Grease) Lubrication Speed	6 000 r/min
Category	Single Row Ball Bearings
Inventory	0.0
Manufacturer Name	NSK
Minimum Buy Quantity	N/A
Weight / Kilogram	0.144
Product Group	B00308
Enclosure	2 Metal Shields
Precision Class	ABEC 1   ISO P0



## Timken BEARINGS INDUSTRY

Maximum Capacity / Filling Slot	No
Rolling Element	Ball Bearing
Snap Ring	No
Internal Special Features	No
Cage Material	Steel
Internal Clearance	C0-Medium
Inch - Metric	Metric
Long Description	80MM Bore; 100MM Outside Diameter; 10MM Outer Race Width; 2 Metal Shields; Ball Bearing; ABEC 1   ISO P0; No Filling Slot; No Snap Ring; No Internal Special Features; C0-Medium Internal Clearance; Ste
Other Features	Deep Groove
Category	Single Row Ball Bearing
UNSPSC	31171504
Harmonized Tariff Code	8482.10.50.68
Noun	Bearing
Keyword String	Ball
Manufacturer URL	<a href="http://www.nskamericas.com">http://www.nskamericas.com</a>
Weight / LBS	0.333
Outer Race Width	0.394 Inch   10 Millimeter
Outside Diameter	3.937 Inch   100 Millimeter
Bore	3.15 Inch   80 Millimeter
Inner Race Width	0 Inch   0 Millimeter
SRI	2.88
hidYobi	6816ZZ
LangID	1
D_	100
SREX	0.015



## Timken BEARINGS INDUSTRY

B_	10
da min	84
hidTable	ecat_NSRDGB
SRE	2.88
mass	0.151
GRS rpm	6000
ra	0.6
SRIX	0.015
D_a	96
SRIN	-0.015
C0	14.5
fo	17.4
SREN	-0.015
DE_	95.556
Prod_Type3	DGBB_SR_ZZ
DA_	5.556
bomp	0
Z_	27
yobi	6816ZZ
C_conv	12700
ALPHA_	0
SDM_	90
r	0.6
KBRG	6141
SBRG	18
DI_	84.444