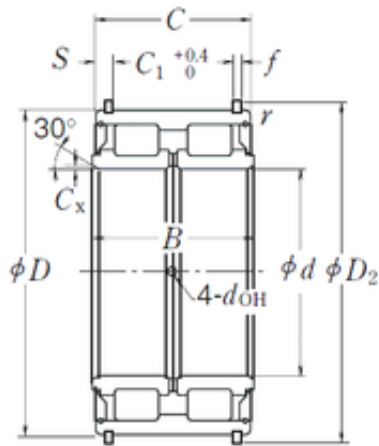




# Timken BEARINGS INDUSTRY



60 mm x 95 mm x 46 mm NSK RS-5012NR  
cylindrical roller bearings

Bearing No. RS-5012NR

RS-5012NR Bearing 2D drawings and 3D CAD models

Size	60x95x46 mm
Bore Diameter	60 mm
Outer Diameter	95 mm
Width	46 mm
d	60 mm
D	95 mm
B	46 mm
C	45 mm
f	2,5 mm
r min.	0,6 mm
C1	34 mm
D2	99,8 mm
S	5,5 mm
C2	0,6 mm
Weight	1,25 Kg
Basic dynamic load rating (C)	123 kN
Basic static load rating (C0)	208 kN
hidYobi	RS-5012NR
LangID	1
D_	95
B_	46
hidTable	ecat_NSCLDRSG
Cx	0.6
mass	1.25
GRS rpm	1700



## Timken BEARINGS INDUSTRY

da_min	65
C0	208
DE_	85
Prod_Type3	CRB_FRFS_PT_WLR
dx_min	106
DA_	8
Z_	30
r_min	0.6
yobi	RS-5012NR
SDM_	77
r	45
KBRG	4220
DI_	69
doh	3