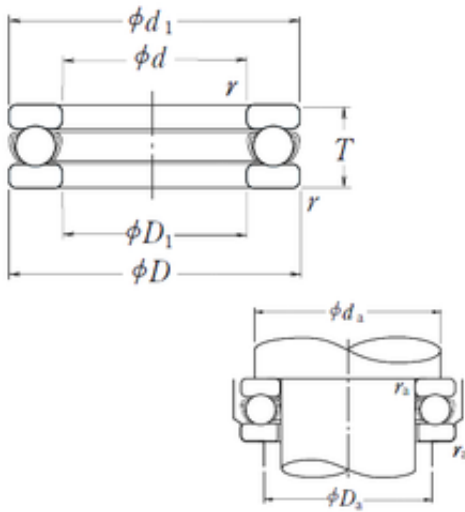




Timken BEARINGS INDUSTRY



NSK 51213 thrust ball bearings

Bearing No. 51213

Size	65x100x27 mm
Bore Diameter	65 mm
Outer Diameter	100 mm
Width	27 mm
d	65 mm
D	100 mm
T	27 mm
d1	100 mm
r min.	1 mm
D1	67 mm
da min.	86 mm
Da max.	79 mm
ra max.	1 mm
Weight	0,756 Kg
Basic dynamic load rating (C)	75,5 kN
Basic static load rating (C0)	189 kN
(Grease) Lubrication Speed	1900 r/min
Category	Thrust Ball Bearing
Inventory	0.0
Manufacturer Name	NSK
Minimum Buy Quantity	N/A
Weight / Kilogram	0.764
EAN	0029176026553
Product Group	B00308
Rolling Element	Ball Bearing
Thrust Bearing	Yes

51213 Bearing 2D drawings and 3D CAD models



Timken BEARINGS INDUSTRY

Single or Double Direction	Single Direction
Banded	No
Cage Material	Steel
Precision Class	Non-Precision
Component Description	Roller Assembly Plus Raceways
Other Features	Single Row With Flat Seat
Long Description	65MM Bore 1; 67MM Bore 2; 100MM Outside Diameter; 27MM Height; Ball Bearing; Single Direction; Not Banded; Steel Cage; Non-Precision
Inch - Metric	Metric
Category	Thrust Ball Bearings
UNSPSC	31171552
Harmonized Tariff Code	8482.10.50.08
Noun	Bearing
Keyword String	Ball Thrust
Manufacturer URL	http://www.nskamericas.com
Manufacturer Item Number	51213
Weight / LBS	1.66669
Overall Height with Aligning Washer	0 Inch 0 Millimeter
Height	1.063 Inch 27 Millimeter
Bore 2	2.638 Inch 67 Millimeter
Bore 1	2.559 Inch 65 Millimeter
Outside Diameter	3.937 Inch 100 Millimeter
bore diameter:	65 mm
static load capacity:	19200 kg
outside diameter:	100 mm
dynamic load capacity:	7700 kg
overall width:	27 mm



Timken BEARINGS INDUSTRY

operating temperature range:	Maximum of +120 ° C
thrust bearing type:	Single-Direction
maximum rpm:	2800 RPM
outside diameter design:	Straight
cage material:	Steel
separable or banded:	Separable
fillet radius:	1 mm
race type:	Flat
series:	512
precision rating:	ABEC 1 (ISO Class Normal)
SRI	6.85
hidYobi	51213
LangID	1
D_	100
SREX	0.05
C	75.5
B_	27
hidTable	ecat_NSSDTB
Oil rpm	2800
SRE	6.85
mass	0.756
GRS rpm	1900
ra	1
SRIX	0.05
D_a	79
SRIN	0
C0	189
SREN	0
D_1	67
Prod_Type3	TB_SD_WFS
da	86



Timken BEARINGS INDUSTRY

DA_	12.7
Z_	19
yobi	51213
SDM_	82.5
r	1
T_	27
KBRG	5111