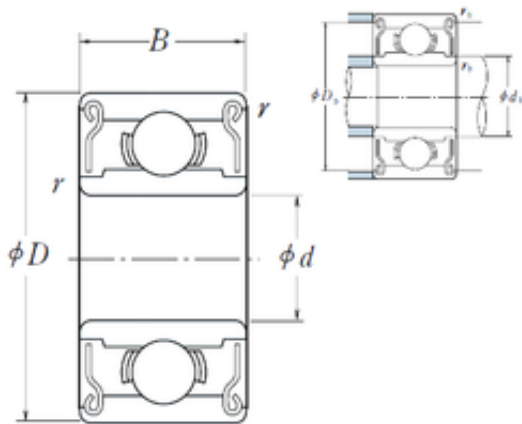




Timken BEARINGS INDUSTRY

7 mm x 11 mm x 3 mm NSK MR 117 ZZ deep groove ball bearings

Bearing No. MR 117 ZZ



MR 117 ZZ Bearing 2D drawings and 3D CAD models

Size	7x11x3 mm
Bore Diameter	7 mm
Outer Diameter	11 mm
Width	3 mm
d	7 mm
D	11 mm
B	3 mm
C	3 mm
r min.	0,1 mm
db max.	8 mm
Db min.	10,5 mm
rb max.	0,1 mm
Weight	0,00072 Kg
Basic dynamic load rating (C)	0,455 kN
Basic static load rating (C0)	0,201 kN