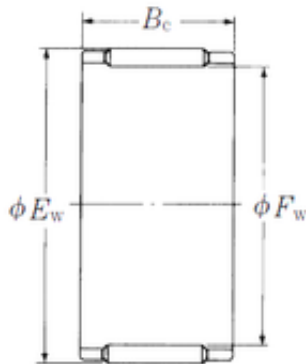




Timken BEARINGS INDUSTRY

NSK WJC-060808 needle roller bearings



Bearing No. WJC-060808

Bore Diameter	9,525 mm
Outer Diameter	12,7 mm
Fw	9,525 mm
Ew	12,7 mm
Bc	12,7 mm
Weight	0,004 Kg
Basic dynamic load rating (C)	5,45 kN
Basic static load rating (C0)	6,15 kN

WJC-060808 Bearing 2D drawings and 3D CAD models