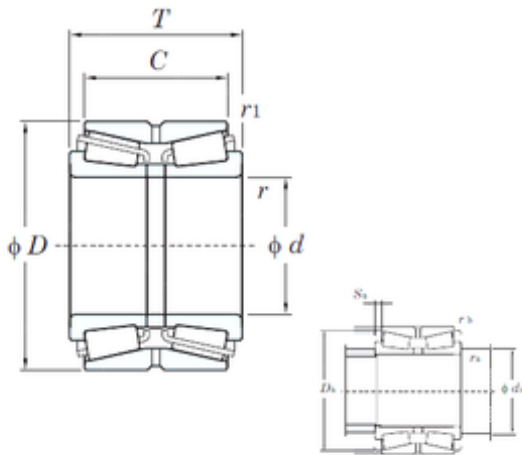




Timken BEARINGS INDUSTRY



KOYO 46T30222JR/74 tapered roller bearings

Bearing No. 46T30222JR/74

46T30222JR/74 Bearing 2D drawings and 3D CAD models

Size	110x200x92 mm
Bore Diameter	110 mm
Outer Diameter	200 mm
Width	92 mm
d	110 mm
D	200 mm
T	92 mm
C	74 mm
r min.	2,5 mm
r1 min.	1 mm
da min.	124 mm
Da min	188 mm
ra max.	2,5 mm
rb max.	1 mm
Weight	11,6 Kg
Basic dynamic load rating (C)	556 kN
Basic static load rating (C0)	868 kN
(Grease) Lubrication Speed	1500 r/min
(Oil) Lubrication Speed	2000 r/min
Calculation factor (e)	0,42
Calculation factor (Y0)	1,57
Bearing No.	46T30222JR/74
r(min)	2.5
r1(min)	1
Cr	695
C0r	868



Timken BEARINGS INDUSTRY

Cu	58.1
Grease lub.	1500
Oil lub.	2000
da(min)	124
Da(min)	194.5
Sa(min)	9
ra(max)	2.5
rb(max)	1
e	0.42
Y2	1.61
Y3	2.39
Y0	1.57
(Refer.)Mass(kg)	11.6