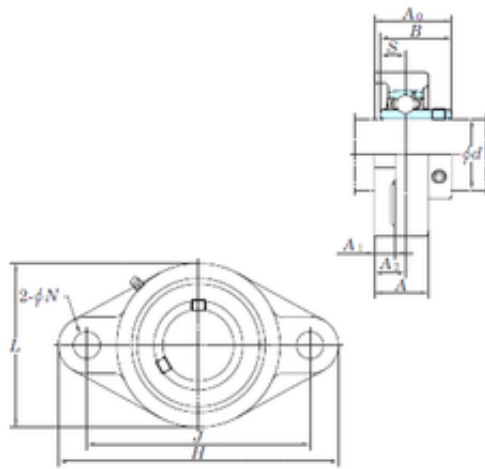




Timken BEARINGS INDUSTRY



KOYO UCFL215-48 bearing units

Bearing No. UCFL215-48

Bore Diameter	76,2 mm
d	76,2 mm
A0	78,5 mm
A	56 mm
A1	20 mm
B	77,8 mm
H	275 mm
J	225 mm
L	165 mm
N	23 mm
S	33,3 mm
A2	34 mm
Weight	6,4 Kg
Basic static load rating (C0)	67,4 kN

UCFL215-48 Bearing 2D drawings and 3D CAD models