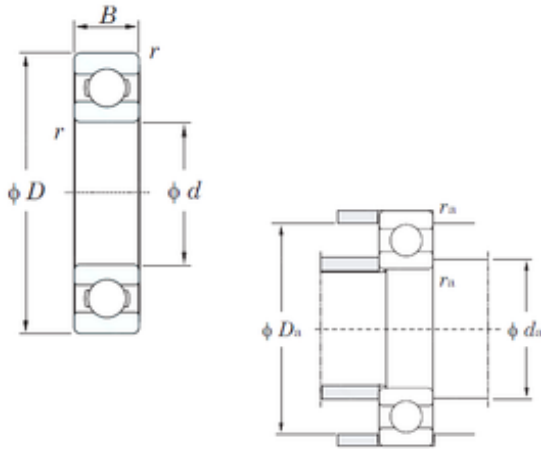




# Timken BEARINGS INDUSTRY



10 mm x 26 mm x 8 mm KOYO 6000 deep groove ball bearings

Bearing No. 6000

6000 Bearing 2D drawings and 3D CAD models

Size	10x26x8 mm
Bore Diameter	10 mm
Outer Diameter	26 mm
Width	8 mm
d	10 mm
D	26 mm
B	8 mm
C	8 mm
r min.	0,3 mm
da min.	12 mm
Da max.	24 mm
ra max.	0,3 mm
Weight	0,019 Kg
Basic dynamic load rating (C)	4,55 kN
Basic static load rating (C0)	1,95 kN
(Grease) Lubrication Speed	31000 r/min
(Oil) Lubrication Speed	36000 r/min
Category	Single Row Ball Bearings
Inventory	0.0
Manufacturer Name	KOYO
Minimum Buy Quantity	N/A
Weight / Kilogram	0.02
Product Group	B00308
Enclosure	Open
Precision Class	ABEC 1   ISO P0



## Timken BEARINGS INDUSTRY

Maximum Capacity / Filling Slot	No
Rolling Element	Ball Bearing
Snap Ring	No
Internal Special Features	No
Cage Material	Steel
Internal Clearance	C0-Medium
Inch - Metric	Metric
Long Description	10MM Bore; 26MM Outside Diameter; 8MM Outer Race Diameter; Open; Ball Bearing; ABEC 1   ISO P0; No Filling Slot; No Snap Ring; No Internal Special Features
Category	Single Row Ball Bearing
UNSPSC	31171504
Harmonized Tariff Code	8482.10.50.68
Noun	Bearing
Keyword String	Ball
Manufacturer URL	<a href="http://www.koyousa.com">http://www.koyousa.com</a>
Manufacturer Item Number	6000
Weight / LBS	0.045
Outside Diameter	1.024 Inch   26 Millimeter
Outer Race Width	0.315 Inch   8 Millimeter
Bore	0.394 Inch   10 Millimeter
Bearing No.	6000
r(min)	0.3
Cr	5.70
C0r	1.95
Cu	0.100
f0	12.3
Grease lub.	31000
Oil lub.	36000



## Timken BEARINGS INDUSTRY

da(min)	12
Da(max)	24
ra(max)	0.3
(Refer.)Mass(kg)	0.019