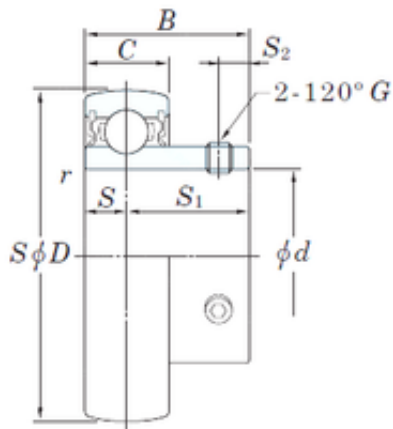




Timken BEARINGS INDUSTRY



74,6125 mm x 160 mm x 82 mm KOYO
UC315-47 deep groove ball bearings

Bearing No. UC315-47

Size	74.6125x160x82 mm
Bore Diameter	74,6125 mm
Outer Diameter	160 mm
Width	82 mm
d	74,6125 mm
D	160 mm
B	82 mm
C	42 mm
S1	50 mm
r min.	2,1 mm
S	32 mm
S2	14 mm
Thread (G)	M14 × 1,5
Weight	4,72 Kg
Basic dynamic load rating (C)	113 kN
Basic static load rating (C0)	77,2 kN

UC315-47 Bearing 2D drawings and 3D CAD models