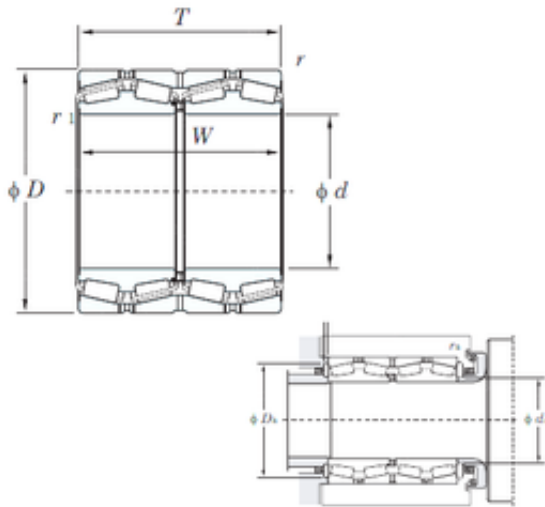




Timken BEARINGS INDUSTRY



KOYO 37288 tapered roller bearings

Bearing No. 37288

Size	440x620x454 mm
Bore Diameter	440 mm
Outer Diameter	620 mm
Width	454 mm
d	440 mm
D	620 mm
T	454 mm
r min.	6 mm
r1 min.	6 mm
S	9 mm
W	454 mm
da min.	481.1 mm
Da min	576 mm
Da max.	592 mm
ra max.	5 mm
rb max.	5 mm
Weight	420 Kg
Basic dynamic load rating (C)	7110 kN
Basic static load rating (C0)	17500 kN
Calculation factor (e)	1.68
Calculation factor (Y0)	0.40
Bearing No.	37288
r	6
Cr	7630
C0r	17500
Cu	1560

37288 Bearing 2D drawings and 3D CAD models



Timken BEARINGS INDUSTRY

r1	6
da(max)	482
Da(max)	592
Da(min)	576
S(min)	9
ra(max)	5
rb(max)	5
Y2	1.68
Y3	2.50
Y0	1.64
e	0.40
(Refer.)Mass(kg)	417