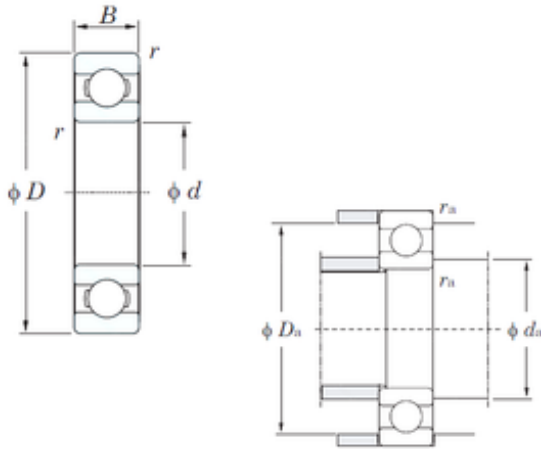




Timken BEARINGS INDUSTRY



20 mm x 42 mm x 8 mm KOYO 16004 deep groove ball bearings

Bearing No. 16004

16004 Bearing 2D drawings and 3D CAD models

Size	20x42x8 mm
Bore Diameter	20 mm
Outer Diameter	42 mm
Width	8 mm
d	20 mm
D	42 mm
B	8 mm
C	8 mm
r min.	0,3 mm
da min.	22 mm
Da max.	40 mm
ra max.	0,3 mm
Weight	0,05 Kg
Basic dynamic load rating (C)	7,95 kN
Basic static load rating (C0)	4,5 kN
(Grease) Lubrication Speed	17000 r/min
(Oil) Lubrication Speed	21000 r/min
Category	Single Row Ball Bearings
Inventory	0.0
Manufacturer Name	KOYO
Minimum Buy Quantity	N/A
Weight / Kilogram	0.054
Product Group	B00308
Enclosure	Open
Precision Class	ABEC 1 ISO P0



Timken BEARINGS INDUSTRY

Maximum Capacity / Filling Slot	No
Rolling Element	Ball Bearing
Snap Ring	No
Internal Special Features	No
Cage Material	Steel
Internal Clearance	C0-Medium
Inch - Metric	Metric
Long Description	20MM Bore; 42MM Outside Diameter; 8MM Outer Race Diameter; Open; Ball Bearing; ABEC 1 ISO P0; No Filling Slot; No Snap Ring; No Internal Special Features
Category	Single Row Ball Bearing
UNSPSC	31171504
Harmonized Tariff Code	8482.10.50.68
Noun	Bearing
Keyword String	Ball
Manufacturer URL	http://www.koyousa.com
Manufacturer Item Number	16004
Weight / LBS	0.119
Outside Diameter	1.654 Inch 42 Millimeter
Bore	0.787 Inch 20 Millimeter
Outer Race Width	0.315 Inch 8 Millimeter
Bearing No.	16004
r(min)	0.3
Cr	9.90
C0r	4.50
Cu	0.290
f0	14.4
Grease lub.	17000
Oil lub.	21000



Timken BEARINGS INDUSTRY

da(min)	22
Da(max)	40
ra(max)	0.3
(Refer.)Mass(kg)	0.050